

16' X 20' WALL TENT PLATFORM OVERVIEW

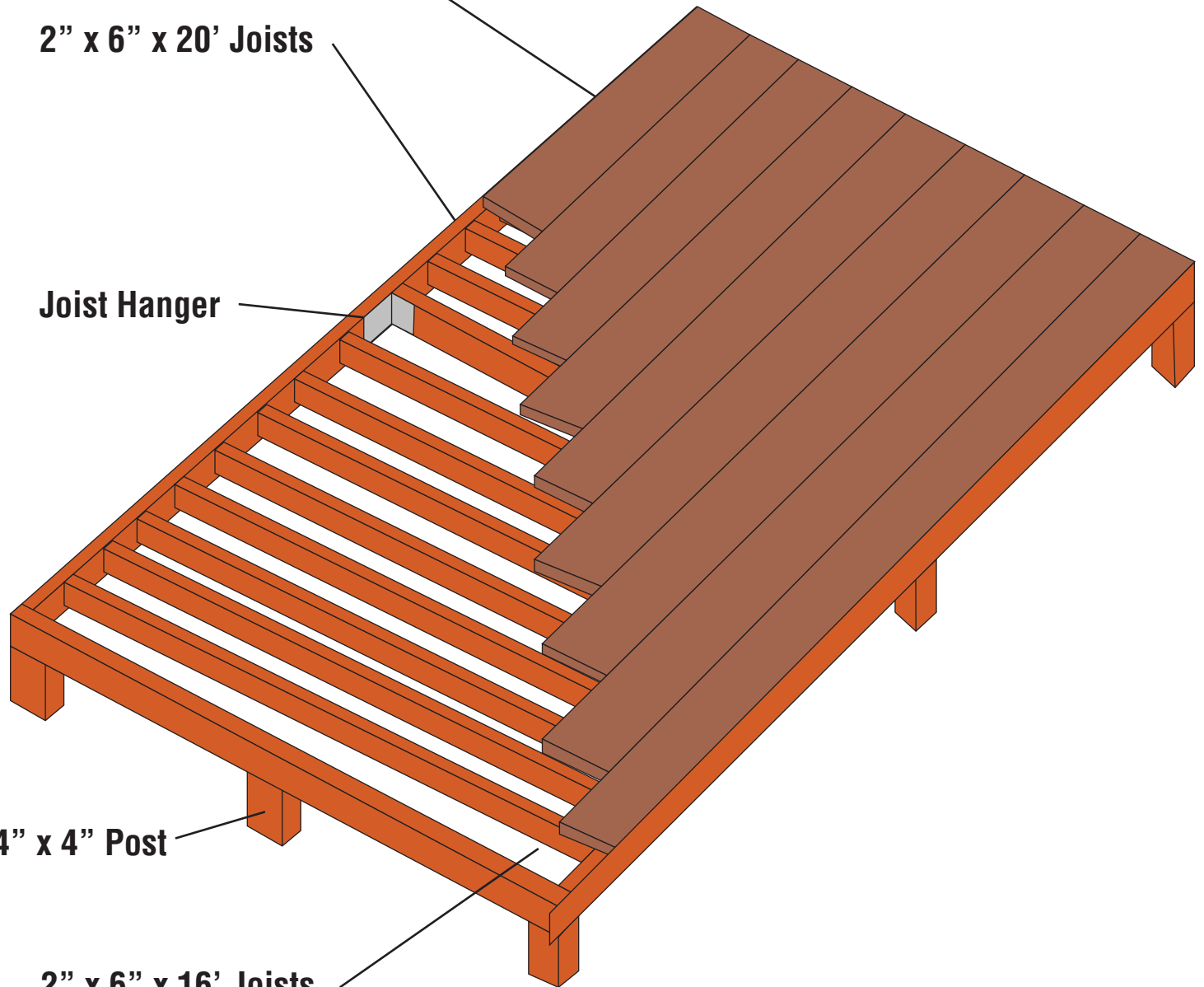
Pressure-Treated Lumber

2" x 6" x 20' Joists

Joist Hanger

4" x 4" Post

2" x 6" x 16' Joists





WALL TENT PLATFORM

*DIAGRAM NOT TO SCALE

MATERIAL

QUANTITY

4" x 4" Pressure-Treated Post
*CUT TO PREFERRED PLATFORM HEIGHT

9

2" x 6" x 20' Pressure-Treated Joists

2

2" x 6" x 16' Pressure-Treated Joists

21

Joist Hanger

42

Exterior Wood Screws

2 -3 Boxes

5/4" x 6" 16' Pressure-Treated Lumber

32

Post Top Connector

1