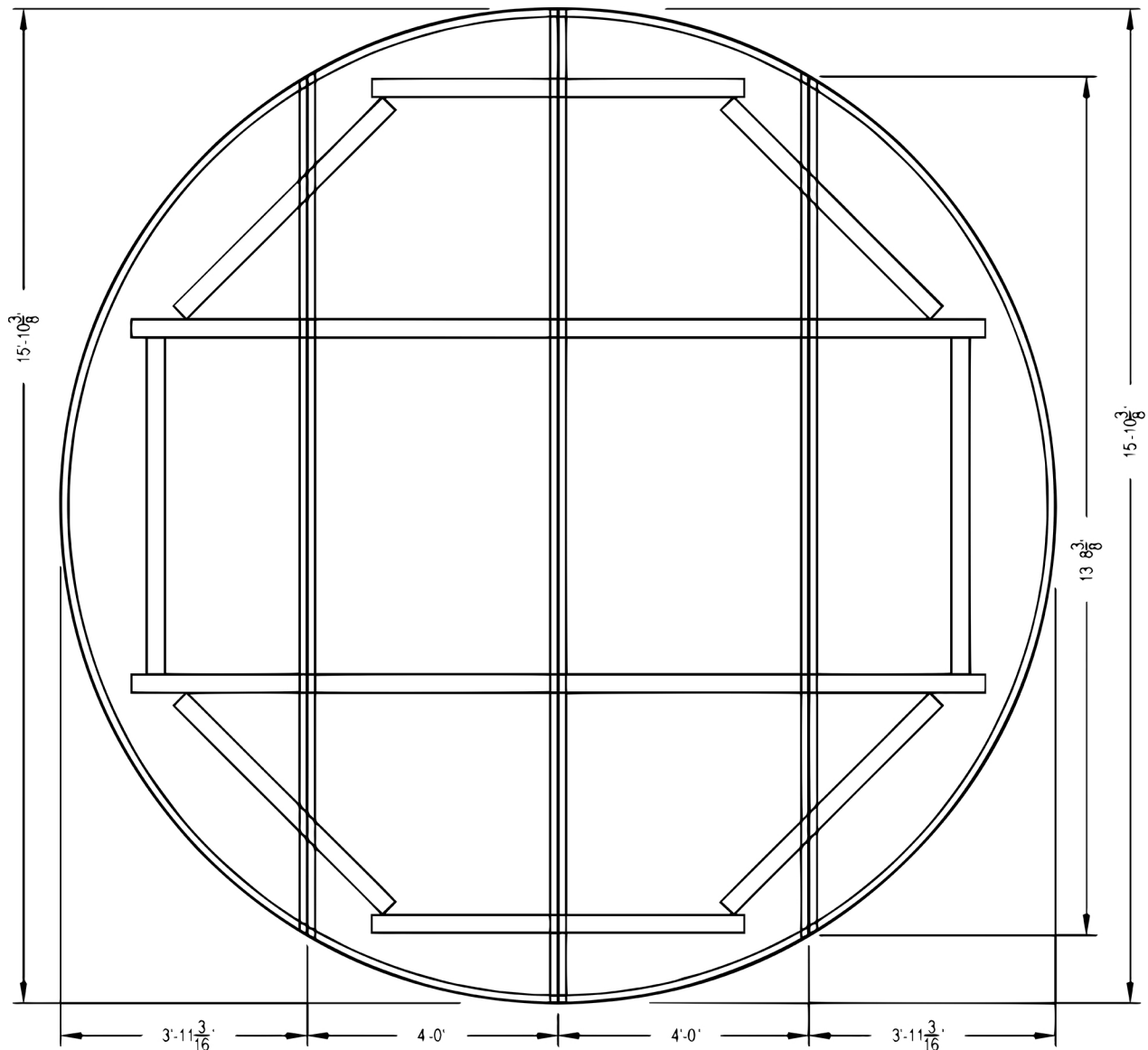


## General Notes

1. This sketch is a reference only and has not been engineered for any particular site.
2. Drawings indicate general details of construction. Subject to review and approval by the architect and the structural engineer.



## SIPS Panel Layout